
FRONTLINE TEST SYSTEM™

CABLING FOR RS-422/485 COMPROBE®



Copyright © 2000-2009 Frontline Test Equipment, Inc. All rights reserved. You may not reproduce, transmit, or store on magnetic media any part of this publication in any way without prior written authorization of Frontline Test Equipment, Inc.

FTS, Frontline, Frontline Test System, and ComProbe are registered trademarks of Frontline Test Equipment, Inc. Frontline is a trademark of Frontline Test Equipment, Inc.

All other trademarks and registered trademarks are property of their respective owners.

Table of Contents

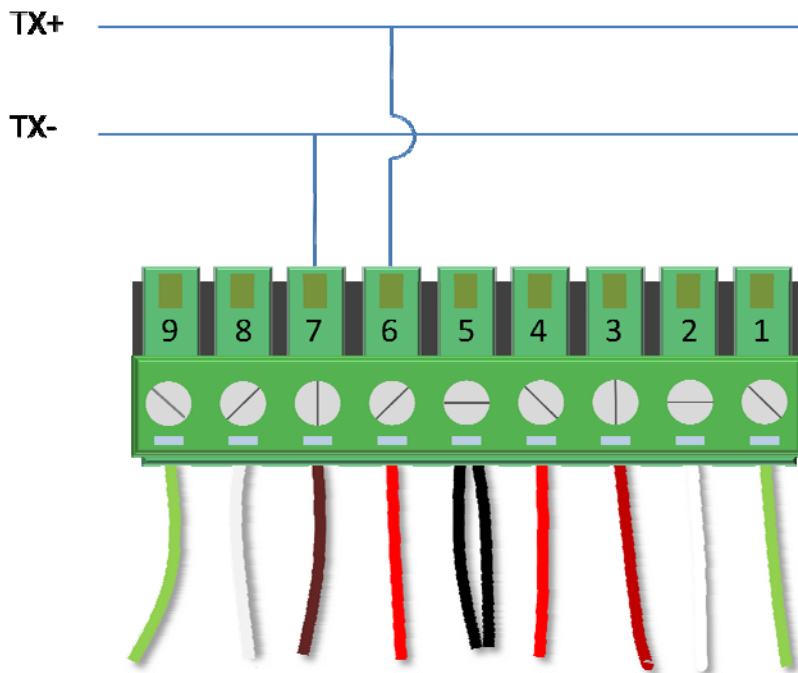
| | | |
|------------|--|----------|
| 1 | CABLING FOR RS 422/485 | 1 |
| 1.1 | CABLING FOR 2 WIRE RS 422/485:..... | 1 |
| 1.2 | CABLING FOR 4 WIRE RS 422/485..... | 2 |

1 Cabling for RS 422/485

Because RS-422 and RS-485 don't subscribe to a standard connector pin out (as RS-232 does) it's necessary to make your own connections.

1.1 Cabling for 2 Wire RS 422/485:

FTS expects to see the transmit lines of your circuit connected to the corresponding pins on the ComProbe. Tap off of the Transmit + line (TX+) of your circuit, and connect that to pin 6 (RX+) on the ComProbe, then tap off of the Transmit - line (TX-) and connect that to pin 7 (RX-) on the ComProbe.



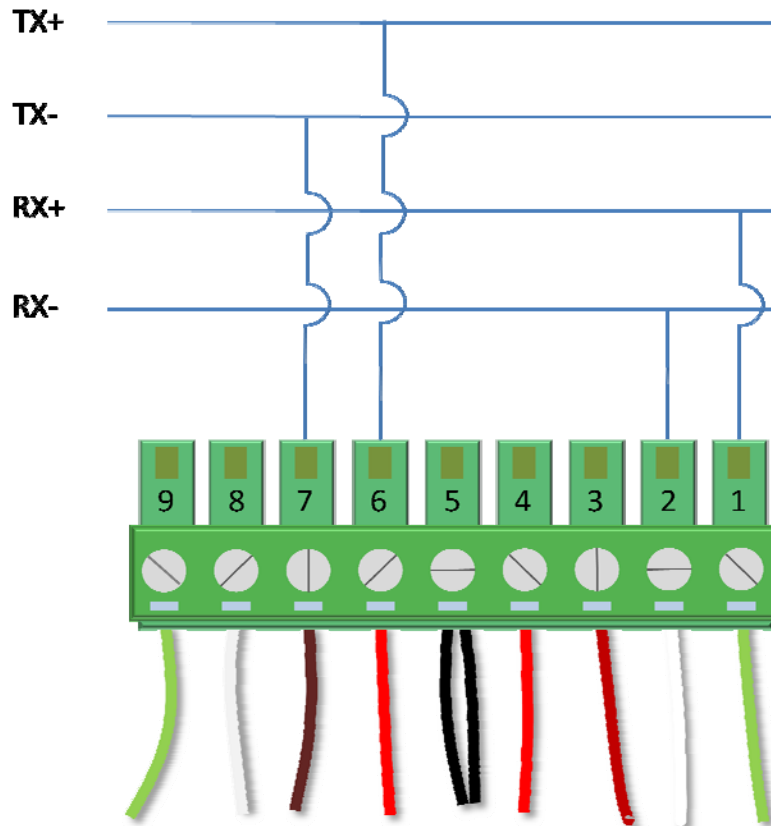
Signal Definitions

| PIN | RS 422/485 |
|-----|------------|
| 1 | TX+ |
| 2 | TX- |
| 3 | RTS+ |
| 4 | RTS- |
| 5 | GND |
| 6 | RX+ |
| 7 | RX- |
| 8 | CTS+ |
| 9 | CTS- |

See the Quick Start Guide, installed in your FTS product folder for instructions on how to proceed from here.

1.2 Cabling for 4 Wire RS 422/485

For a four wire circuit, the procedure is the same. Tap off of the Transmit + line (TX+) of your circuit, and connect that to pin 6 (RX+) on one ComProbe, then tap off of the Transmit - line (TX-) and connect that to pin 7 (RX-) on the ComProbe. Do the same with the Receive lines, tap off of the RX+ and connect that to pin 1 on the ComProbe then tap RX- and send it to pin 2 on the ComProbe.



Signal Definitions

| PIN | RS 422/485 |
|-----|------------|
| 1 | TX+ |
| 2 | TX- |
| 3 | RTS+ |
| 4 | RTS- |
| 5 | GND |
| 6 | RX+ |
| 7 | RX- |
| 8 | CTS+ |
| 9 | CTS- |

See the Quick Start Guide, installed in your FTS product folder for instructions on how to proceed from here.